

# QDLASER

## QLF1335-T200

1310 nm FP LASER TO-CAN

Preliminary

C00110-01 May. 2013



### 1. DESCRIPTION

The QLF1335-T200 is 1310 nm quantum dot laser diode device for use in extremely high temperature environment. The laser is mounted into a TO-56 header including a monitor PD for optical power control and hermetic sealed with a lens cap. Since quantum dot technologies are equipped with active layers of the device, it realizes excellent temperature characteristics and low power consumptions.

### 2. FEATURES

- 1310 nm FP-LD
- Temperature insensitive operation
- $\Phi 5.6\text{mm}$  TO-CAN package
- Wide temperature operation: -25 to 200deg.C

### 3. APPLICATION

- High temperature use

### 4. ABSOLUTE MAXIMUM RATING

( $T_c = 25^\circ\text{C}$ , unless otherwise specified)

| PARAMETER                        | SYMBOL    | RATING     | UNIT             |
|----------------------------------|-----------|------------|------------------|
| Light Output Power               | $P_o$     | 10         | mW               |
| LD Forward Current               | $I_F$     | 300        | mA               |
| LD Reverse Voltage               | $V_{RLD}$ | 2          | V                |
| PD Forward Current               | $I_{FPD}$ | 2          | mA               |
| PD Reverse Current               | $I_{RPD}$ | 5          | mA               |
| PD Reverse Voltage               | $V_{RPD}$ | 10         | V                |
| Operation Temperature ( $T_c$ )  | $T_c$     | -25 to 200 | $^\circ\text{C}$ |
| Storage Temperature              | $T_{stg}$ | -40 to 85  | $^\circ\text{C}$ |
| Lead Soldering Temperature (5 s) | $T_{sld}$ | 230        | $^\circ\text{C}$ |

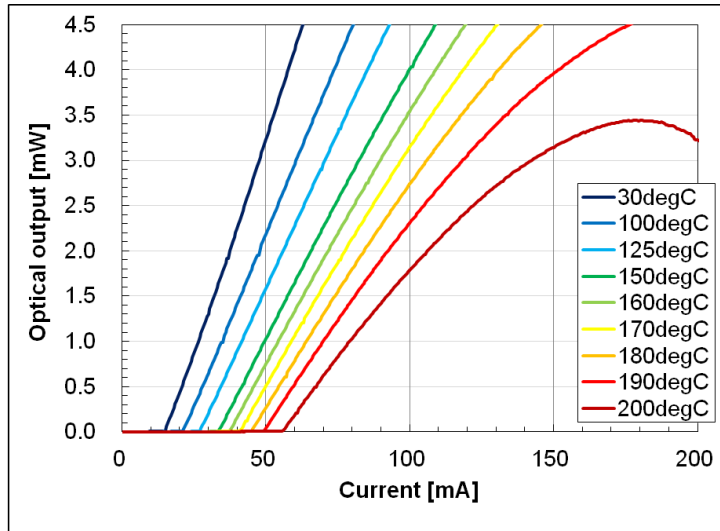
## 5. OPTICAL AND ELECTRICAL CHARACTERISTICS

( $T_c = 25^\circ\text{C}$ , unless otherwise specified)

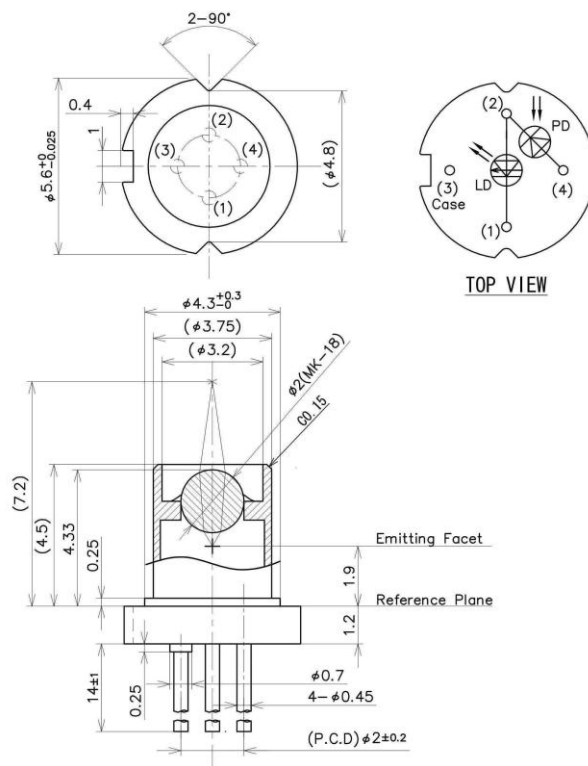
| PARAMETER         | SYMBOL          | TEST CONDITION                      | MIN  | TYP  | MAX  | UNIT          |
|-------------------|-----------------|-------------------------------------|------|------|------|---------------|
| Threshold current | $I_{th}$        | CW, 25deg.C                         | -    | 15   | 25   | mA            |
|                   |                 | CW, 200 deg.C                       | -    | 70   | 85   | mA            |
| Operation current | $I_{op}$        | CW, $P_o=4$ mW, 25deg.C             | -    | 55   | 75   | mA            |
|                   |                 | CW, $P_o=2$ mW, 200deg.C            | -    | 120  | 145  | mA            |
| Operation voltage | $V_{op}$        | CW, $P_o=4$ mW                      | -    | 1.2  | 1.6  | V             |
| Slope efficiency  | $\eta$          | CW, 25deg.C                         | 0.06 | 0.10 | -    | W/A           |
|                   |                 | CW, 200deg.C                        | 0.02 | 0.04 | -    | W/A           |
| Center wavelength | $\lambda_c$     | CW, $P_o=4$ mW, 25deg.C             | 1230 | 1265 | 1300 | nm            |
| Spectral width    | $\Delta\lambda$ | CW, $P_o=4$ mW, RMS(-20dB), 25deg.C | -    | 2.5  | 4    | nm            |
| Monitor current   | $I_m$           | CW, $P_o=4$ mW, $V_{RD}=5$ V        | 50   | 240  | 1000 | $\mu\text{A}$ |
| Focal length      | $D_f$           | CW, $P_o=4$ mW, SI10/125            | 6.1  | 7.1  | 8.1  | mm            |

Notice : Aging test at 200 deg.C is not examined at present.

## 6. TYPICAL L-I CHARACTERISTICS



## 7. OUTLINE DRAWING



All dimensions in millimeters

## 8. NOTICE

- Warrantary period of products

Warrantary period of products is one year from packing date.

- Safety Information

This product is classified as Class 1M laser product, and complies with 21 CFR Part 1040.10.

Please do not take a look laser lighting in operations since laser devices may cause troubles to human eyes.

Please do not eat, burn, break and make chemical process of the products since they contain GaAs material.

- Handling products

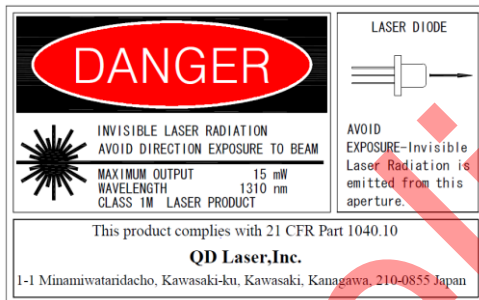
Semiconductor lasers are easily damaged by external stress such as excess temperature and ESD.

Please pay attention to handling products, and use within range of maximum ratings.

QD Laser takes no responsibility for any failure or unusual operation resulting from improper handling, or unusual physical or electrical stress.

- RoHS

This product conforms to RoHS compliance related EU Directive 2002/95/EC.



All company or product names mentioned herein are trademarks or registered trademarks of their respective owners. Information provided in this data sheet is accurate at time of publication and is subject to change without advance notice.