

QDLASER

QLF1335-AD

1300 nm FP LASER TO-CAN

Preliminary

C00051-02 May 2011



1. DESCRIPTION

The QLF1335-AD is 1300 nm quantum dot laser diode device for use in extremely high temperature environment. The laser is mounted into a TO-56 header including a monitor PD for optical power control and hermetic sealed with a lens cap. Since quantum dot technologies are equipped with active layers of the device, it realizes excellent temperature characteristics and low power consumptions.

2. FEATURES

- 1300 nm FP-LD
- Wide temperature operation: -25 to 150deg.C
- Φ 5.6mm TO-CAN package

3. APPLICATION

- High temperature use

4. ABSOLUTE MAXIMUM RATING

($T_c = 25^\circ\text{C}$, unless otherwise specified)

PARAMETER	SYMBOL	RATING	UNIT
Light Output Power	P_o	10	mW
LD Forward Current	I_F	100	mA
LD Reverse Voltage	V_{RLD}	2	V
PD Forward Current	I_{FPD}	2	mA
PD Reverse Current	I_{RPD}	5	mA
PD Reverse Voltage	V_{RPD}	10	V
Operation Temperature (T_c)	T_c	-25 to 150	$^\circ\text{C}$
Storage Temperature	T_{stg}	-40 to 85	$^\circ\text{C}$
Lead Soldering Temperature (5 s)	T_{sld}	230	$^\circ\text{C}$

5. OPTICAL AND ELECTRICAL CHARACTERISTICS

($T_c = 25^\circ\text{C}$, unless otherwise specified)

PARAMETER	SYMBOL	TEST CONDITION	MIN	TYP	MAX	UNIT
Threshold current	I_{th}	CW, 25deg.C	-	6	15	mA
		CW, 150 deg.C	-	18	25	mA
Operation current	I_{op}	CW, $P_o=4$ mW, 25deg.C	-	28	40	mA
		CW, $P_o=2$ mW, 150deg.C	-	40	50	mA
Operation voltage	V_{op}	CW, $P_o=4$ mW	-	1.3	1.6	V
Slope efficiency	η	CW, 25deg.C	0.18	0.22	-	W/A
		CW, 150deg.C	0.10	0.14	-	W/A
Center wavelength	λ_c	CW, $P_o=4$ mW, 25deg.C	1250	1293-	1310	nm
Spectral width	$\Delta\lambda$	CW, $P_o=4$ mW, RMS(-20dB), 25deg.C	-	2.8	4	nm
Monitor current	I_m	CW, $P_o=4$ mW, $V_{RD}=5$ V	50	700	1000	μA
Focal length	D_f	CW, $P_o=4$ mW, SI10/125	6.0	6.5	7.0	mm

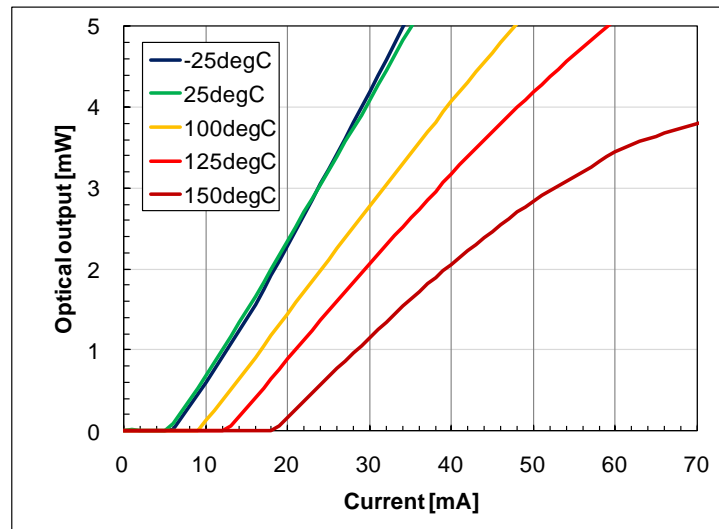
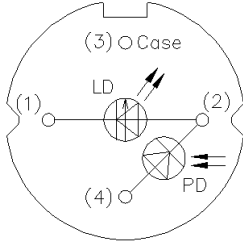
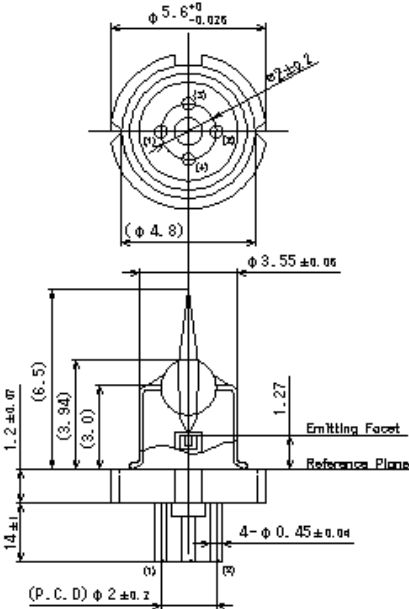


Fig. Typical L-I curves

6. OUTLINE DRAWING



TOP VIEW

All dimensions in millimeters

7. NOTICE

- Warrantary period of products

Warrantary period of products is one year from packing date.

- Safety Information

This product is classified as Class 1M laser product, and complies with 21 CFR Part 1040.10.

Please do not take a look laser lighting in operations since laser devices may cause troubles to human eyes.

Please do not eat, burn, break and make chemical process of the products since they contain GaAs material.

- Handling products

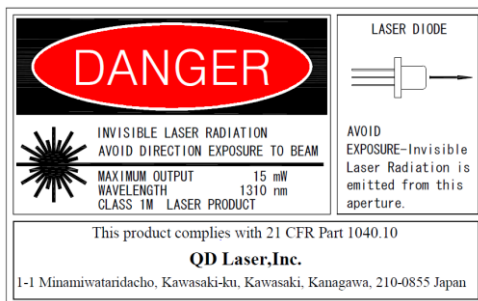
Semiconductor lasers are easily damaged by external stress such as excess temperature and ESD.

Please pay attention to handling products, and use within range of maximum ratings.

QDL takes no responsibility for any failure or unusual operation resulting from improper handling, or unusual physical or electrical stress.

- RoHS

This product conforms to RoHS compliance related EU Directive 2002/95/EC.



All company or product names mentioned herein are trademarks or registered trademarks of their respective owners. Information provided in this data sheet is accurate at time of publication and is subject to change without advance notice.