

# QDLASER

## QLF083A/QLF083D

830 nm 210mW FP LASER TO-CAN

Preliminary

C00176-01 September 2015



### 1. DESCRIPTION

The QLF083x series is an 830 nm quantum well laser device designed for high output power application. The laser diode is mounted into a TO-56 header including a monitor PD and hermetic sealed with a flat glass cap.

### 2. FEATURES

- 830 nm FP-LD
- $\Phi 5.6\text{mm}$  TO-CAN package
- High output power of 210 mW and high slope efficiency
- Lateral single mode
- Including monitor PD
- Two types of pin assignments: Anode common type (QLF083A)/cathode common type (QLF083D)

### 3. APPLICATIONS

- Particle inspections
- Measuring instruments

### 4. ABSOLUTE MAXIMUM RATING

(CW operation,  $T_c = 25^\circ\text{C}$ , unless otherwise specified)

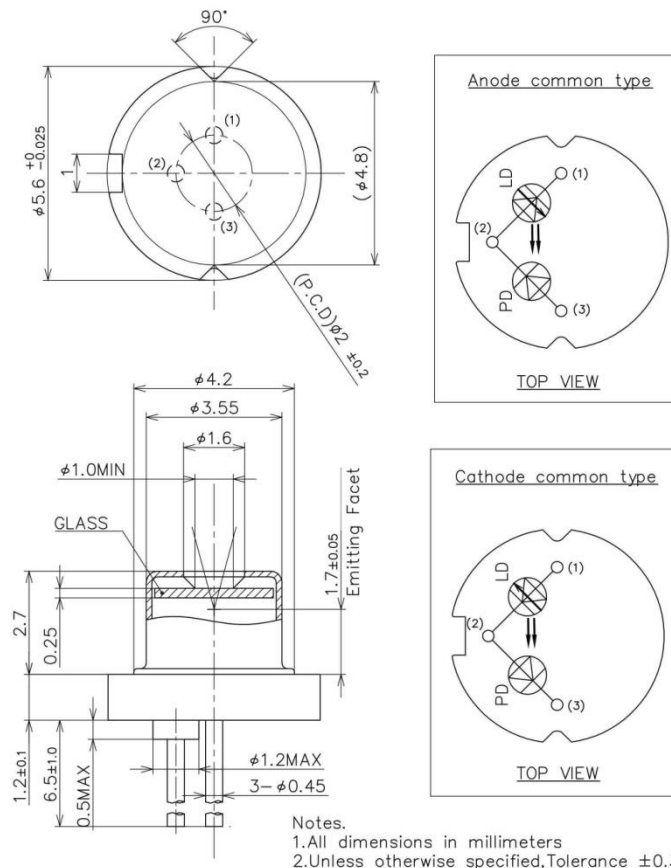
PARAMETER	SYMBOL	RATING	UNIT
Optical output power (CW)	$P_o$	220	mW
LD reverse voltage	$V_{RLD}$	2	V
PD reverse voltage	$V_{RPD}$	30	V
Operation temperature	$T_c$	T.B.D.	$^\circ\text{C}$
Storage temperature	$T_{stg}$	-40 to 85	$^\circ\text{C}$

## 5. OPTICAL AND ELECTRICAL CHARACTERISTICS

( $T_c = 25^\circ\text{C}$ , unless otherwise specified)

PARAMETER	SYMBOL	TEST CONDITION	MIN	TYP	MAX	UNIT
Threshold current	$I_{th}$	CW	-	35	50	mA
Operation current	$I_{op}$	CW, $P_o=210$ mW	-	225	255	mA
Operation voltage	$V_{op}$	CW, $P_o=210$ mW	-	2.1	2.5	V
Slope efficiency	$\eta$	CW, $P_o=5 - 210$ mW	0.7	1.1	-	W/A
Monitor current	$I_m$	CW, $P_o=210$ mW, $V_{RD}=5$ V	-	T.B.D.	-	$\mu\text{A}$
Peak wavelength	$\lambda_p$	CW, $P_o=210$ mW	820	830	840	nm
Far filed pattern horizontal	$\theta_h$	CW, $P_o=210$ mW	6	9	12	deg.
Far filed pattern Vertical	$\theta_v$	CW, $P_o=210$ mW	14	18	22	deg.
Beam angle Horizontal	$\Delta\theta_h$	CW, $P_o=210$ mW	-3	-	3	deg.
Beam angle Vertical	$\Delta\theta_v$	CW, $P_o=210$ mW	-3	-	3	deg.

## 6. Outline Drawing



## 7. Notice

- Safety Information

This product is classified as Class 3B laser product, and complies with 21 CFR Part 1040.10.

Please do not take a look at laser lighting in operations since laser devices may cause troubles to human eyes.

Please do not eat, burn, break and make chemical process of the products since they contain GaAs material.

- Handling products

Semiconductor lasers are easily damaged by external stress such as excess temperature and ESD. Please pay attention to handling products, and use within range of maximum ratings. QD Laser takes no responsibility for any failure or unusual operation resulting from improper handling, or unusual physical or electrical stress.

- RoHS

This product conforms to RoHS compliance related EU Directive 2011/65/EU.